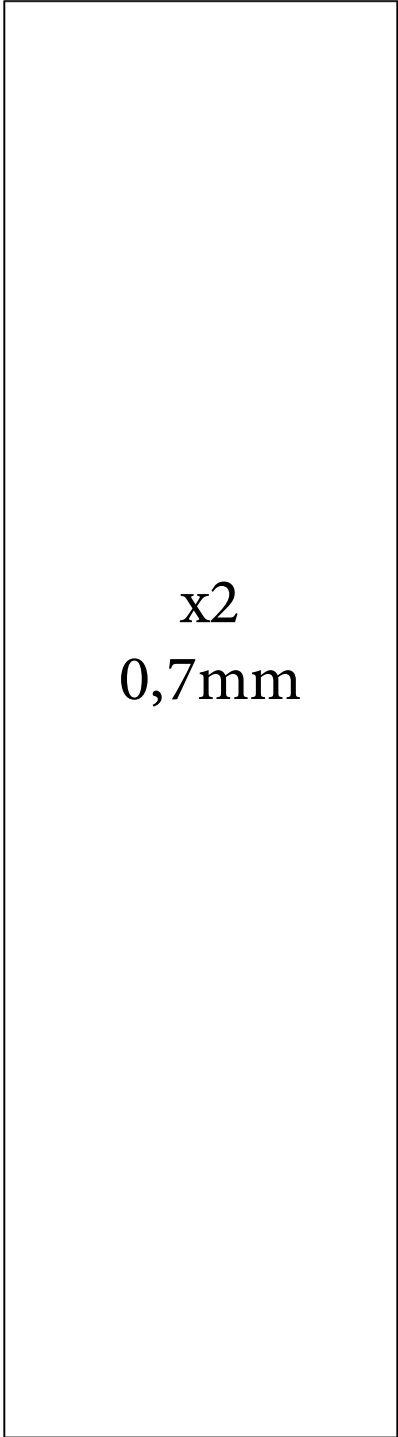


x1 1mm



x2  
0,7mm